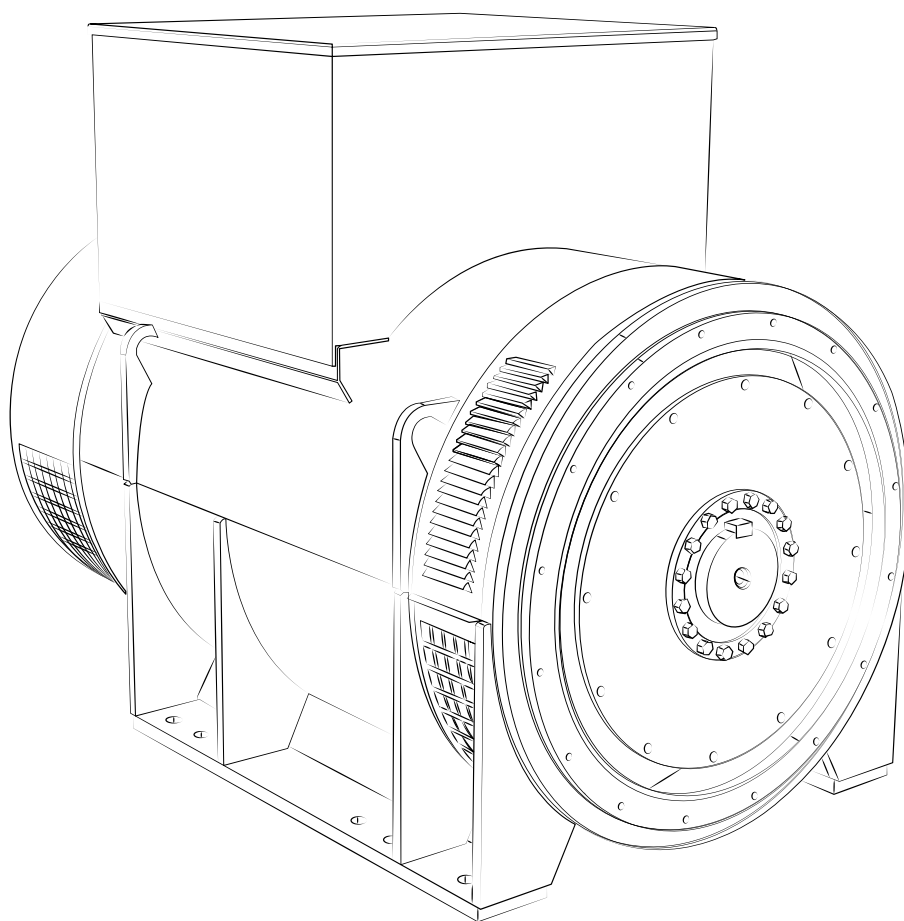




**MarelliMotori**  
Powering the future



# **MJB Generator Series**

Product catalogue

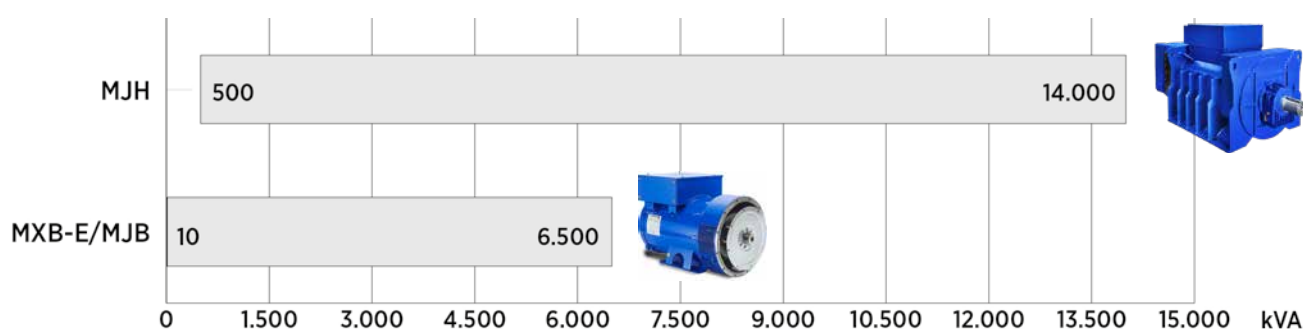
# SYNCHRONOUS GENERATORS FOR POWER GENERATION APPLICATIONS

Our product applications include:

- PRIME RATED POWER (PRP) AND CONTINUOUS OPERATING POWER (COP)
- STAND BY
- EMERGENCY
- UNINTERRUPTIBLE POWER SUPPLY (UPS)
- DATA CENTER

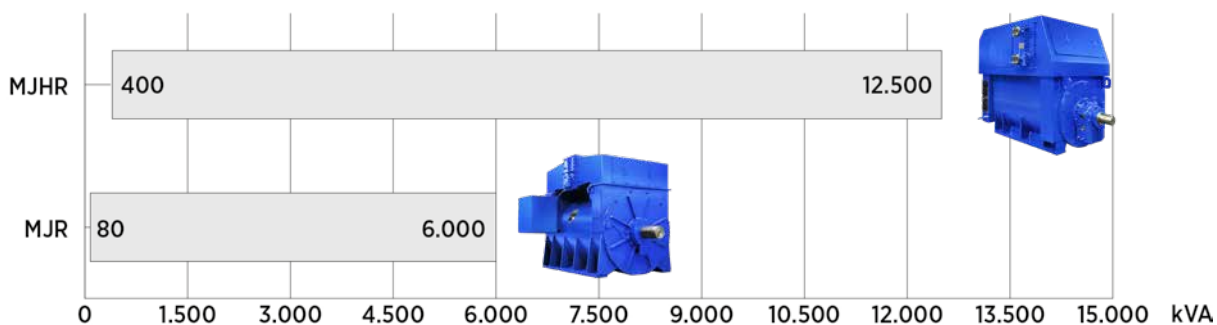
## MXB-E / MJB / MJH Series

Open Drip Proof • IP23 - IP44



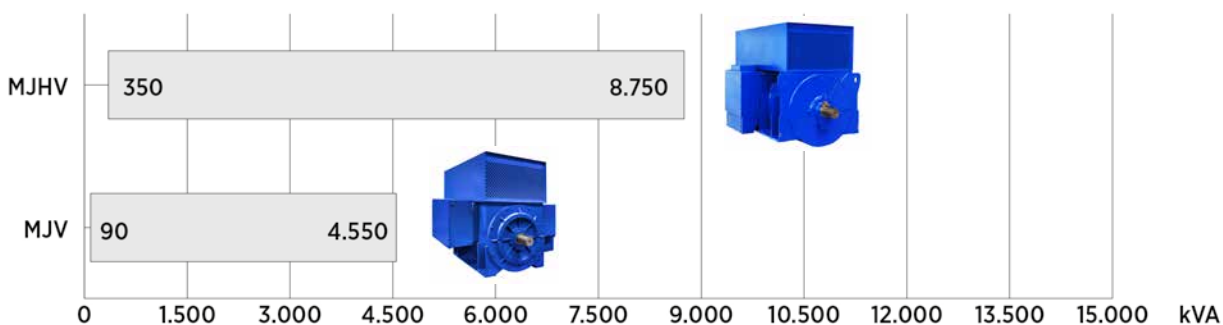
## MJR / MJHR Series

Totally Enclosed Air To Water Cooled • IP44 - IP55



## MJV / MJHV Series

Totally Enclosed Air to Air Cooled • IP44 - IP55



# STANDARD CONFIGURATION

Construction	315	355	400	450	500	560	630	710	
Applicable standards	IEC 60034-1; BS 4999-5000; NEMA MG 1.32								
Enclosure	Open Drip Proof								
Cooling system	IC01 as per IEC 60034-6								
Degree of protection	IP23 as per IEC 60034-5								
Mounting	IM 2105 single bearing / IM 2101 double bearing						IM 2101 double bearing		
Insulation system	Class H for stator and rotor								
Main components	315	355	400	450	500	560	630	710	
Magnetic steel	Low losses. Insulated on both sides								
Housing	Fabricated steel								
N-End Endshield	Cast iron						Fabricated steel		
D-End Endshield									
SAE Adaptor	Cast iron						n/a		
Shaft	Steel according to EN 10025								
Fan	Aluminum			Aluminum (4 poles) / Steel (>4 poles)			Steel		
Main terminal box	Fabricated steel								
Position of main terminal box	On top						On the right side when seen from D-End		
Terminal board	Leads	12	12 / 6 (MB4)	6					
	Terminals	9 (SA4, SB4) 12 (MA4, MB4)	12 / 6 (MB4)	6					
Rotor	Salient pole type. Made by copper flat wire. Rotors are dynamically balanced with a half key applied to the shaft extension in accordance with IEC 60034-14 to vibration grade normal A								
Impregnation	Polyester / Epoxy resin through VPI process						Polyester resin through VPI		
Winding pitch	2/3 (4 poles) / Depending on generator model (>4 poles)							(*)	
Bearing data	315	355	400	450	500	560	630	710	
Bearing type	D-End	6319-C3	6322-C3	6324-C3	6326-C3	6328-C3	6332-C3	NU234-EC-M-C3 + SF6234-M-C3	4 poles: NU236-EC-M-C3 + SF6236-M-C3 >4 poles: NU240-EC-M-C3 + SF6240-M-C3
	N-End	6315-2Z-C3	6317-2Z-C3	6318-Z-C3	6318-Z-C3	6326-C3	6330-C3	NU234-EC-M-C3	4 poles: NU236-EC-M-C3 >4 poles: NU240-EC-M-C3
Bearing lifetime	20.000 hours		50.000 hours				100.000 hours		
Grease nipple	D-End	Included							
	N-End	Not included			Included				
N-End insulated bearing	Not included		Included (≥8 poles)				Included		
Excitation system	315	355	400	450	500	560	630	710	
Excitation type	Brushless with rotating rectifier (Graetz 6-Diode bridge with EMI filter and surge suppressor)								
Overboosting system	Auxiliary winding			Auxiliary winding (4 poles) Varicomp (>4 poles)		Varicomp			
Operating conditions	315	355	400	450	500	560	630	710	
Overload during S1 continuous duty	10% for 1 hour / 15% for 10 minutes / 30% for 4 minutes / 50% for 2 minutes These overloads must be occasional and followed by one hour of running at normal load								
Operation at reduced speed	All regulators work to reduce the excitation current in order to protect the excitation system when the generator is used at reduced speed								
Transient ratings	All generators can be designed to meet specific reactance values (X'd and X''d)								
Air inlet	Advanced axial			Axial and radial					
Damper cage	Rotor is provided with large sized damper cage								
Radio interference	Radio interference Class B Group 1 as EN 55011								
THD	Typically THD <2% at no load								
Parallel operations	All MJB generators are provided with an amply sized damper cage and are suitable for parallel operations with other generators								
Winding treatment	All MJB stator windings are treated with a further protective coat, making the generators suitable for tough environmental conditions								

(\*): Winding pitch depending on generator model.

n/a: not available.

# AVR SELECTION TABLE

		Analogue			Digital	
AVR type		MGC I	MGC II	MARK X	MEC 20	D-Vo
Code		10001467	10004378	10005161	11000317	10024470
Generator frame size	standard	500 ÷ 560 400 ÷ 450 (>4 poles)	630 ÷ 710	-	315 ÷ 450 (4 poles)	-
	PMG	-	-	500 ÷ 560	315 ÷ 450	315 ÷ 710
AVR possible supply		Mains		PMG	Auxiliary windings, mains, PMG	
Voltage sensing		Single phase		Three phase		Single phase standard, Three phase on request
Voltage remote control		Arrangement				
Radio interference suppressor		Internal				Arrangement for external filters
Over-excitation device		Arrangement for VARICOMP				
Parallel operation with the mains		Arrangement for external A.P.F.R.				Internal
Parallel operation with similar generators		Arrangement				
Standard protections		-	-	Over excitation	Field over-current, field over-voltage, generator over/under voltage, generator over-current, loss of sensing	
Limiters		Under-frequency				Under-frequency, over/under-excitation
Functions		Auxiliary inputs				PC interface, Modbus TCP, FRT function, soft start, auxiliary inputs, contact inputs, DMS

## Excitation system

The generators are self-exciting, by means of a brushless type excitation system.

The voltage is maintained within  $\pm 0,5\%$  of the nominal value in steady state condition with a balanced and non distorting load.

## Excitation type

All generators can be supplied with a Permanent Magnet Generator (PMG) if required, which gives an independent supply to the excitation system. PMG is advisable for use with generators, in particular applications such as unbalanced load and distorting load.

## Manual voltage regulation

Available within  $\pm 5\%$  of the rated value by means of a potentiometer placed inside the voltage regulator.

A remote voltage setting is possible by means of an external potentiometer, which can be supplied on request.

# RATING DEFINITION

## Prime rating

Prime rating is the maximum power available at a variable load for an unlimited number of hours.

Marelli Motori low voltage generators are class H insulated as a standard feature. Under these conditions three different classes of temperature rise are allowed and are here below represented as over-temperature above the reference ambient temperature (reference ambient temperature is 40°C as defined in IEC 60034):

- Class B temperature rise: generator can reach a temperature rise of 80° above 40° ambient temperature
- Class F temperature rise: generator can reach a rise temperature of 105° over 40° ambient temperature
- Class H temperature rise: generator can reach a rise temperature of 125° over 40° ambient temperature

In all the above conditions an extra 10% overload for 1 hour over 6 hours is allowed.

Over-temperatures are measured by resistance method.

## Stand-by rating

Stand-by rating is selected for emergency supply in the event of normal power interruption. This duty service is typically limited to the duration of power cut.

When the emergency power is required continuously for more than one hour, our generators can work in accordance with stand-by rating defined as 150/40 or 163/27 (temperature rise/ambient temperature):

- 150/40 refers to peak continuous ratings and it is according to ISO 8528-3.
- 163/27 refers to emergency peak continuous rating. ISO standards do not include this specific rating which is suitable for emergency operations.

Any extra overload over the stand-by ratings is not allowed.

# OPERATING CONDITIONS

## Altitude

The rated outputs refer to installation up to 1.000 m a.s.l. Above this level the following derating factors must be applied.

Altitude (m asl)	< 1.000	< 1.500	< 2.000	< 2.500	< 3.000
K factor	1,00	0,96	0,93	0,90	0,86

## Ambient temperature

The rated outputs given in this catalogue are based on a maximum ambient temperature of 40°C.

When operating at different ambient temperatures, the output rating can be obtained by applying the factors as in the following table.

Ambient temperature (°C)	30	35	40	45	50	55
K factor	1,04	1,00	1,00	0,96	0,93	0,9

## Power factor

The nominal power factor is 0,8 lagging. For different power factor values the following derating factors must be applied.

Power factor	1,0	0,8	0,7	0,6	0,5	0,3	0
K factor	1,00	1,00	0,93	0,88	0,84	0,82	0,80

# OPTIONS AVAILABLE

ID	Description	Generator frame size								
		315	355	400	450	500	560	630	710	
103	12 leads winding	s	s <sup>(1)</sup>	o	n/a	n/a	n/a	n/a	n/a	
108	Anticondensation heaters, with terminals in main terminal box	o	o	o	o	s	s	s	s	
108	113 Anticondensation heaters, with terminals in auxiliary terminal box	o	o	o	o	o	o	o	o	
110	N. 3 PT1000 in stator windings with terminals in main terminal box	o	o	o	o	o	o	o	o	
111	N. 3 PTC in stator windings	o	o	o	o	o	o	o	o	
111	113 N. 3 PTC in stator windings with terminals in auxiliary terminal box	o	o	o	o	o	o	o	o	
112	N. 3 PT100 in stator windings with terminals in main terminal box	o	o	o	o	o	o	o	o	
112	113 N. 3 PT100 in stator windings with terminals in auxiliary terminal box	o	o	o	o	o	o	o	o	
113	Separate auxiliary terminal box	o	o	o	o	o	o	o	o	
117	Provision for parallel operation with similar generators	s	s	s	s	s	s	s	s	
122	N. 1 PT100 on one bearing	o	o	o	o	o	o	o	o	
123	N. 1 PT100 duplex type on one bearing	o	o	o	o	o	o	o	o	
124	N. 1 PT1000 on one bearing	o	o	o	o	o	o	o	o	
125	N. 1 PT1000 duplex type on one bearing	o	o	o	o	o	o	o	o	
126	N. 1+1 PT100 on air inlet/outlet	x	x	o	o	o	o	o	o	
136	D-end special shaft extension	o	o	o	o	o	o	o	x	
138	N-End grease nipple	o	o	o	s	s	s	s	s	
139	D-End grease nipple	s	s	s	s	s	s	s	s	
140	Second shaft extension	o	o	o	o	o	o	o	o	
141	Flanged shaft extension	n/a	n/a	o	o	o	o	o	o	
142	Arrangement for vibration sensor on one support	x	x	o	o	o	o	o	o	
143	Reinforced frame for high vibration levels	x	x	x	x	x	x	x	x	
144	B5 adaptor	o	o	o	o	o	o	o	o	
162	Three phase sensing with dedicated AVR mounted	s	s	s	s	x	x	x	x	
166	PMG with dedicated AVR	o	o	o	o	o	o	n/a	n/a	
167	113 PMG with digital AVR (D-Vo) mounted	o	o	o	o	o	o	o	o	
168	Digital AVR D-Vo mounted on board	o	o	o	o	o	o	o	o	
169	113 APFC mounted	o	o	o	o	o	o	o	o	
-	12 diodes rotating rectifier	x	x	o	o	o	o	o	o	
175	113 N. 3 CT single core on neutral point (only available with 6 leads generators)	x	x	o	o	o	o	o	o	
180(*)	Insulated N-End bearing	o	o	o	o	o	o	s	s	
181	D-End insulated bearing+earthing brush	o	o	o	o	o	o	o	o	
184	64R - brush connection to rotor for earth fault detection (w/o protection device)	o	o	o	o	o	o	o	o	
203	Sleeve bearings	n/a	n/a	o	o	o	o	o	o	
210	Inlet filter (IP23)	o	o	o	o	o	o	o	o	
211	Inlet + outlet filter (IP43)	o	o	o	o	o	o	o	o	
212	Inlet + outlet filter (IP44)	o	o	o	o	o	o	o	o	
213	IP55 terminal box	o	o	o	o	o	o	o	o	
214	Non magnetic exit cable panel	o	o	o	o	o	o	o	o	
216	Separate neutral point terminal box	o	o	o	o	o	o	o	s	
304	Special voltage	o	o	o	o	o	n/a	n/a	n/a	
919	Non standard RAL paint colour	o	o	o	o	o	o	o	o	
928	Painting colour RAL 9005 Black	o	o	o	o	o	o	o	o	
930	Special painting process F96819	o	o	o	o	o	o	o	o	
931	Special painting process F96826	o	o	o	o	o	o	o	o	

(1) MJB355MB4 with 6-lead winding only

(\*) Opt. No. 180 is standard on all generators ≥ 8 poles

o: optional

n/a: not available

s: standard

x: contact Marelli Motori

# OUR SERVICES

## **Testing capability**

Marelli Motori has high capability test rooms with the possibility to test generators in any mounting configuration, for all designed voltages and power outputs.

Testing can be conducted at different frequency and it is carried out in compliance with all major international standards (IEC, IEEE), customer specifications, marine/navy rules.

## **Warranty extension**

Should you require a long warranty period for your Marelli Motori equipment we can offer the extension of your commercial warranty terms. This service allows you to extend the warranty conditions up to 60 months from the product delivery date, even when the original standard period has expired.

## **Commissioning**

Commissioning ensures the best possible performance of your electrical machines and represents an investment over their entire lifetime.

## **Maintenance contracts**

The correct functioning of electrical rotating machines requires regular maintenance and specific resources and skills.

The Marelli Motori Service Team can provide tailor made maintenance plans to suit any specific requirements.

## **Technical training**

Marelli Motori offers technical training which provide our business partners with the technical knowledge they need to better use our products.

Our courses are held in Italian, English and German (other languages on request) in all the Marelli Motori premises, but it is also possible to arrange them at other locations, such as at customer's site.

## **Overhauling and repairs**

When a machine fails it is vital that a repair is performed quickly to ensure a swift return to operation. Marelli Motori can perform repairs of low, medium and high voltage machines of any brand either at our manufacturing facilities or at the customer's premises.

Our high tech facilities, which include computerised machine centres, VPI plants, 3D measurement systems, digital and infrared diagnostics tools, along with our long experience in designing and manufacturing electrical machines, offer outstanding quality of repairs and absolute reliability.

At the end of the repair process, functional and/or load testing of electrical machines is performed in our test rooms that can handle machines up to 5 MW and a 15 kV before issuing full test certificates and detailed repair reports.

## **Spare parts**

Genuine Marelli Motori spare parts are available at all our locations and supplied to distributors, OEMs and end-users worldwide to better assist you throughout the life cycle of your machines. We offer packages of spare parts calibrated to your individual needs.

Marelli Motori will analyse your equipment and identify which spare parts are required to ensure timely resolution of any critical situation. Our out of catalogue products can be replaced with newer interchangeable models.

# TECHNICAL DATA

Type	Leads	400 V / 50 Hz						480 V / 60 Hz						Inertia B3 Approx. J [Kg m <sup>2</sup> ]	Weight B3 Approx. [Kg]
		Power rating [kVA] Temp. rise / Ambient temp. [°C]						Power rating [kVA] Temp. rise / Ambient temp. [°C]							
		Continuous duty			Stand-by			Continuous duty			Stand-by				
		125/40 ΔT cl. H	105/40 ΔT cl. F	80/40 ΔT cl. B	163/27	150/40	Efficiency 4/4 pf = 0,8	125/40 ΔT cl. H	105/40 ΔT cl. F	80/40 ΔT cl. B	163/27	150/40	Efficiency 4/4 pf = 0,8		
<b>4 POLES</b>		<b>400 V / 50 Hz - 1.500 rpm</b>						<b>480 V / 60 Hz - 1.800 rpm</b>						<b>IP 23</b>	
MJB 315 SB4	12	350	320	280	385	371	93,4	425	389	340	467	450	94,0	4,25	920
MJB 315 MA4	12	410	376	328	451	435	93,7	500	458	400	550	530	94,2	4,80	1.060
MJB 315 MB4	12	450	412	360	500	477	94,0	550	504	440	605	583	94,8	5,68	1.200
MJB 355 SA4	12	510	467	408	561	540	94,0	625	573	500	687	662	94,5	7,97	1.250
MJB 355 SB4	12	570	522	456	627	604	94,6	695	637	556	764	736	95,1	9,29	1.550
MJB 355 MA4	12	680	623	544	750	720	94,7	825	756	660	907	874	95,1	11,69	1.800
MJB 355 MB4	6	800	733	640	880	848	95,0	960	880	768	1.056	1.020	95,3	13,12	2.050
MJB 400 MA4	6	930	852	744	1.023	986	95,2	1.175	1.077	940	1.292	1.245	95,7	16,30	2.250
MJB 400 MB4	6	1.050	962	840	1.155	1.113	95,3	1.320	1.210	1.056	1.452	1.400	95,7	17,00	2.300
MJB 400 LA4	6	1.150	1.054	920	1.265	1.219	95,6	1.420	1.300	1.136	1.562	1.505	96,0	19,30	2.550
MJB 400 LB4	6	1.300	1.192	1.040	1.430	1.378	95,8	1.625	1.490	1.300	1.787	1.720	96,3	22,5	2.800
MJB 450 MB4	6	1.500	1.375	1.200	1.650	1.590	95,9	1.800	1.650	1.440	1.980	1.908	96,3	29,0	3.200
MJB 450 LA4	6	1.650	1.512	1.320	1.815	1.749	96,0	1.980	1.815	1.584	2.178	2.100	96,3	34,0	3.600
MJB 450 LB4	6	1.875	1.718	1.500	2.065	1.987	96,2	2.250	2.062	1.800	2.475	2.385	96,4	38,0	4.000
MJB 500 SC4	6	2.000	1.833	1.600	2.200	2.120	96,1	2.400	2.200	1.920	2.640	2.544	96,5	46,7	4.000
MJB 500 MB4	6	2.200	2.016	1.760	2.420	2.332	96,2	2.635	2.415	2.108	2.900	2.790	96,5	52,5	4.400
MJB 500 MC4	6	2.300	2.108	1.840	2.530	2.438	96,3	2.700	2.470	2.160	2.970	2.860	96,2	54,4	4.800
MJB 500 LA4	6	2.500	2.291	2.000	2.750	2.650	96,4	3.000	2.750	2.400	3.300	3.180	96,7	61,5	5.100
MJB 560 MA4	6	2.730	2.502	2.184	3.003	2.894	96,4	3.125	2.864	2.500	3.437	3.310	96,5	83,0	6.000
MJB 560 LA4	6	3.200	2.933	2.560	3.520	3.392	96,5	3.680	3.373	2.944	4.048	3.900	96,6	95,0	6.450
MJB 630 MB4	6	3.300	3.024	2.640	3.630	3.498	96,4	3.795	3.478	3.036	4.175	4.020	96,7	138	7.500
MJB 630 LA4	6	3.625	3.322	2.900	3.987	3.842	96,5	4.140	3.794	3.312	4.554	4.390	96,8	146	8.100
MJB 710 SC4	6	4.000	3.666	3.200	4.400	4.240	96,6	4.400	4.033	3.520	4.840	4.665	96,6	208	12.100

Other voltage and power ranges are available on request.



# TECHNICAL DATA

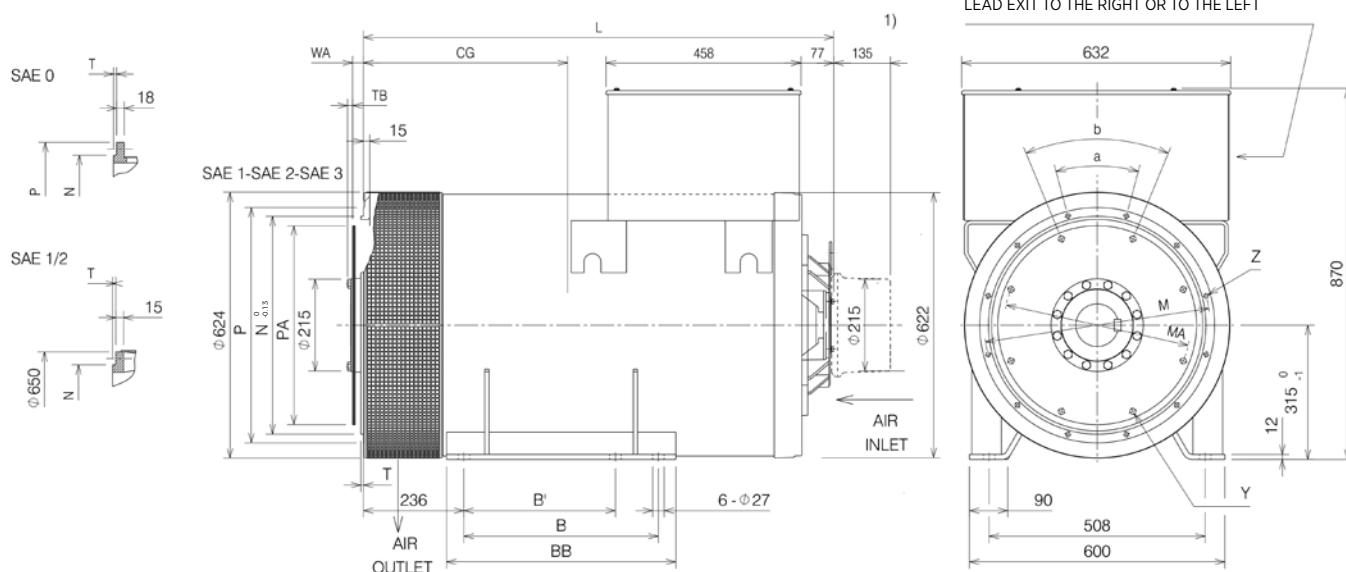
Type	Leads	400 V / 50 Hz						480 V / 60 Hz						Inertia B3 Approx. J [Kg m <sup>2</sup> ]	Weight B3 Approx. [Kg]
		Power rating [kVA] Temp. rise / Ambient temp. [°C]						Power rating [kVA] Temp. rise / Ambient temp. [°C]							
		Continuous duty			Stand-by			Continuous duty			Stand-by				
		125/40 ΔT cl. H	105/40 ΔT cl. F	80/40 ΔT cl. B	163/27	150/40	Efficiency 4/4 pf = 0,8	125/40 ΔT cl. H	105/40 ΔT cl. F	80/40 ΔT cl. B	163/27	150/40	Efficiency 4/4 pf = 0,8		
<b>6 POLES</b>		<b>400 V / 50 Hz - 1.000 rpm</b>						<b>480 V / 60 Hz - 1.200 rpm</b>						<b>IP 23</b>	
MJB 400 SA6	6	400	366	320	440	424	92,6	500	458	400	550	530	93,0	11,80	1.450
MJB 400 SB6	6	450	412	360	495	477	92,9	565	518	452	621	600	93,4	14,10	1.600
MJB 400 SC6	6	500	458	400	550	530	93,6	625	573	500	687	660	94,0	16,80	1.800
MJB 400 MA6	6	620	568	496	682	657	94,0	775	710	620	852	820	94,4	17,90	2.000
MJB 400 MB6	6	700	641	560	770	742	94,2	875	802	700	962	927	94,6	19,40	2.260
MJB 400 LA6	6	800	733	640	880	848	94,5	1.000	916	800	1.100	1.060	94,9	20,9	2.530
MJB 400 LB6	6	970	889	776	1.067	1.028	94,7	1.215	1.113	972	1.336	1.290	95,1	24,2	2.750
MJB 450 MB6	6	1.040	953	832	1.144	1.102	95,4	1.300	1.190	1.040	1.430	1.378	95,8	44,2	3.850
MJB 450 LA6	6	1.200	1.100	960	1.320	1.272	95,6	1.500	1.375	1.200	1.650	1.590	95,8	48,7	4.000
MJB 450 LB6	6	1.360	1.246	1.088	1.496	1.440	95,6	1.700	1.558	1.360	1.870	1.802	96,1	53,7	4.200
MJB 500 SC6	6	1.330	1.220	1.064	1.463	1.410	94,9	1.665	1.526	1.332	1.830	1.765	95,6	64,7	3.800
MJB 500 MA6	6	1.400	1.283	1.120	1.540	1.484	95,7	1.750	1.600	1.400	1.925	1.855	96,4	70,0	4.200
MJB 500 MB6	6	1.540	1.410	1.232	1.694	1.632	95,1	1.925	1.764	1.540	2.118	2.040	95,8	73,6	4.400
MJB 500 LA6	6	1.680	1.540	1.344	1.848	1.780	96,2	2.100	1.925	1.680	2.310	2.226	96,3	88,9	5.300
MJB 560 SC6	6	1.870	1.700	1.500	2.060	1.980	95,6	2.150	1.980	1.720	2.365	2.280	96,2	115	4.900
MJB 560 MA6	6	2.080	1.900	1.660	2.290	2.200	95,6	2.400	2.200	1.920	2.640	2.545	96,3	115	5.400
MJB 560 LA6	6	2.360	2.150	1.880	2.600	2.500	96,5	2.700	2.480	2.160	2.970	2.860	96,8	135	6.500
<b>8 POLES</b>		<b>400 V / 50 Hz - 750 rpm</b>						<b>480 V / 60 Hz - 900 rpm</b>						<b>IP 23</b>	
MJB 400 SA8	6	240	220	192	264	254	91,9	300	275	240	330	318	92,0	13,50	1.450
MJB 400 SB8	6	310	284	248	341	329	92,0	400	366	320	440	424	92,5	16,20	1.600
MJB 400 SC8	6	360	330	288	396	382	92,3	450	412	360	495	477	92,8	19,10	1.800
MJB 400 MA8	6	430	394	344	473	456	92,5	540	495	432	594	572	93,0	20,6	2.000
MJB 400 MB8	6	510	467	408	561	540	93,0	640	586	512	704	678	93,5	22,4	2.260
MJB 400 LA8	6	600	550	480	660	636	93,2	750	687	600	825	795	93,7	24,1	2.530
MJB 400 LB8	6	740	678	592	814	784	93,5	925	848	740	1.017	980	94,0	25,4	2.750
MJB 500 SA8	6	820	751	656	902	869	94,5	1.025	939	820	1.127	1.086	95,1	55,1	3.200
MJB 500 SC8	6	1.020	935	816	1.122	1.081	95,0	1.275	1.170	1.020	1.402	1.350	95,5	74,2	3.800
MJB 500 MB8	6	1.270	1.164	1.016	1.397	1.346	95,1	1.590	1.457	1.272	1.749	1.685	95,6	82,2	4.400

Other voltage and power ranges are available on request.

# DIMENSIONS

## MJB 315 - single bearing

DIMENSIONS IN mm G= CENTER OF GRAVITY 1)PMG OPTIONAL CHANGES RESERVED



Type	Dimensions [mm]				
MJB 315	L	B'	B	BB	CG
MJB 315 SA	945	267	368	450	410
MJB 315 SB					440
MJB 315 MA	1105	356	457	540	470
MJB 315 MB					505

Connections					
COUPLING	FLANGE				
	SAE J617				
SAE J620	3	2	1	1/2	0
11.5	•	•			
14			•	•	•
16				•	•
18					•

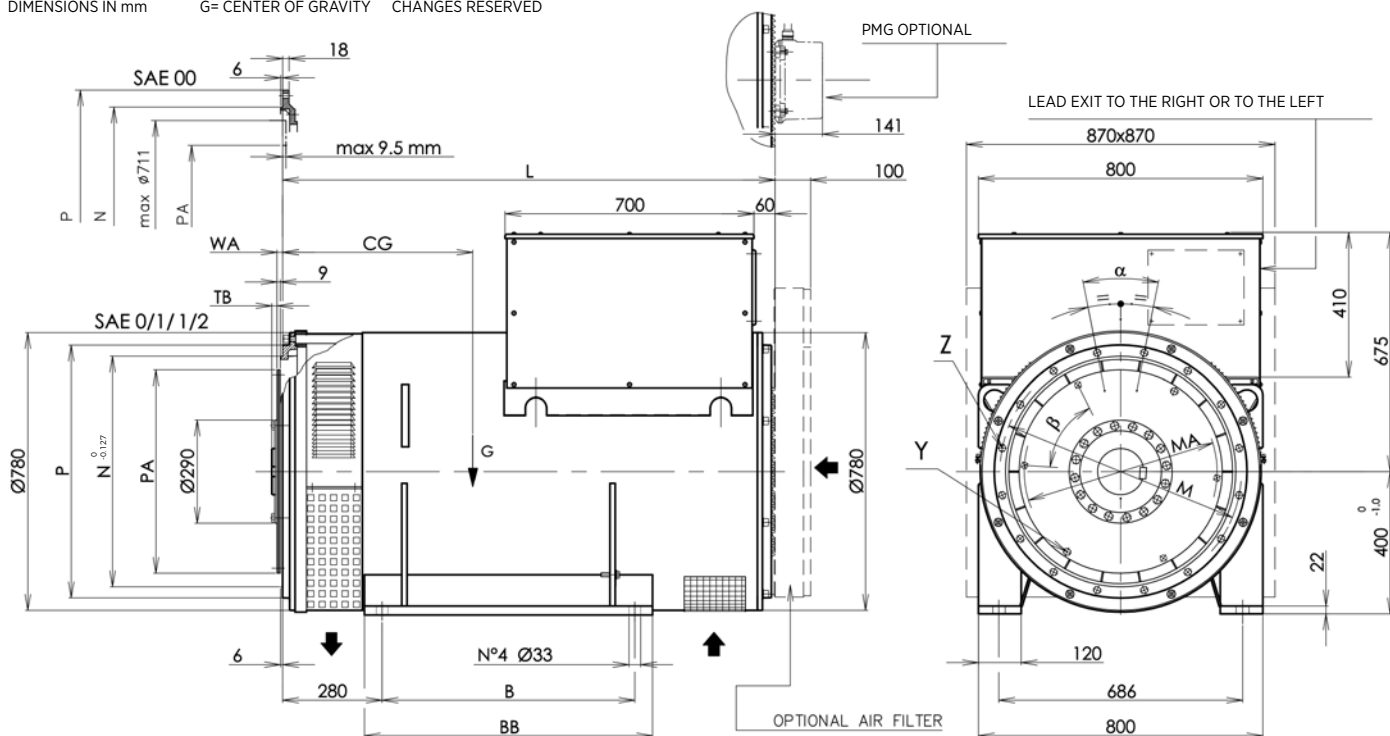
Dimensions [mm]															
FLANGE								COUPLING							
SAE J617	N	P	M	T	Z		a	SAE J620	PA	MA	Y		b	WA	TB
					NR	Ø					NR	Ø			
3	409.58	451	428.62	5	12	11.5	30°								
2	447.68	490	466.72	5	12	11.5	30°	11.5	352.42	333.4	8	11	45°	39.6	12
1	511.18	552	530.22	6	12	11.5	30°	14	466.72	438.2	8	14	45°	25.4	12
1/2	584.20	648	619.20	6	12	14	30°	16	517.52	489.0	8	14	45°	15.7	15
0	647.70	711	679.50	6	16	14	22.5°	18	571.50	542.9	6	18	60°	15.7	15



# DIMENSIONS

## MJB 400 - single bearing

DIMENSIONS IN mm G= CENTER OF GRAVITY CHANGES RESERVED



Type	Dimensions [mm]			
MJB 400	L	B	BB	CG
MJB 400 SA	1200	560	660	500
MJB 400 SB				530
MJB 400 MA	1400	710	810	580
MJB 400 MB				630
MJB 400 LA	1600	900	1000	680
MJB 400 LB				730

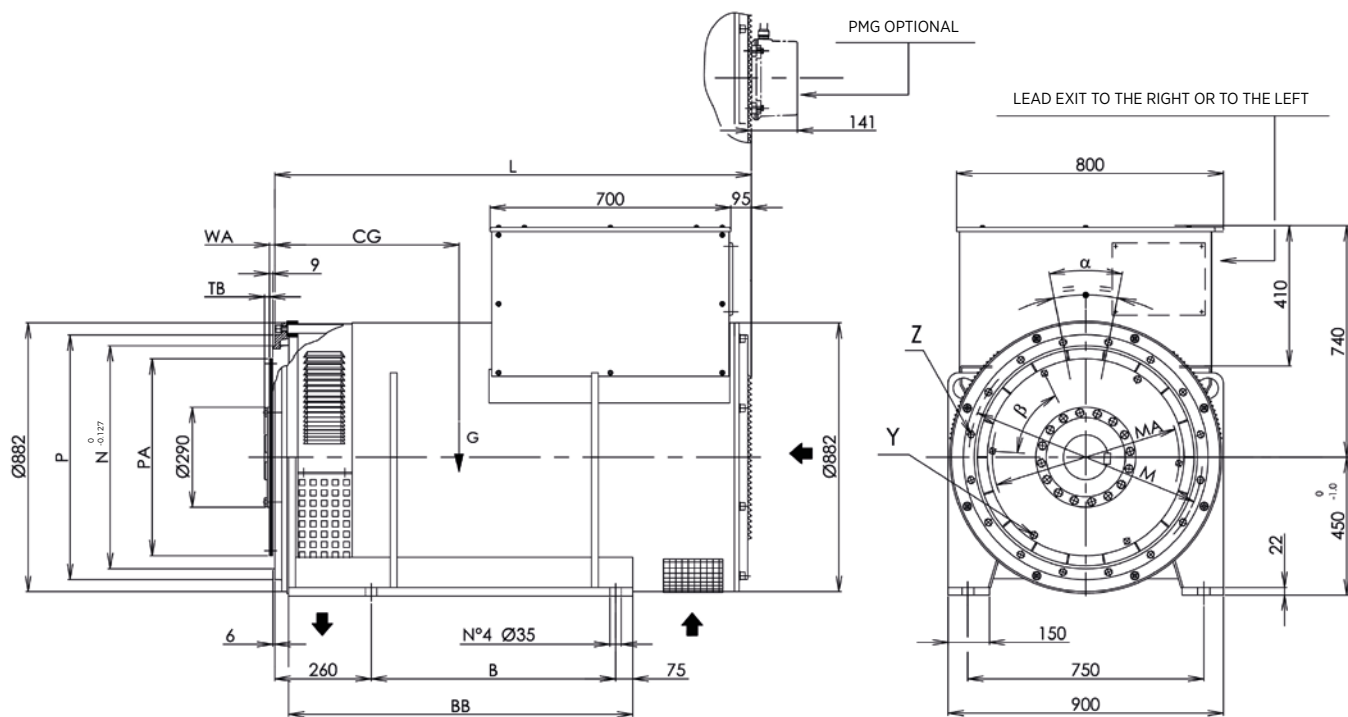
Connections				
COUPLING	FLANGE			
	SAE J617			
SAE J620	1	1/2	0	00
14	•	•	•	•
16			•	•
18			•	•
21				•

Dimensions [mm]														
FLANGE							COUPLING							
SAE J617	N	P	M	Z		α	SAE J620	PA	MA	Y		β	WA	TB
				NR	Ø					NR	Ø			
1	511.18	552	530.22	12	11.5	30°	14	466.72	438.2	8	14	45°	25.4	15
1/2	584.20	648	619.10	12	14	30°	16	571.52	489.0	8	14	45°	15.7	15
0	647.70	711	679.50	16	14	22.5°	18	571.50	542.9	6	18	60°	15.7	15
00	787.40	883	851.00	16	14	22.5°	21	673.10	641.4	12	18	30°	0	31

# DIMENSIONS

## MJB 450 - single bearing

DIMENSIONS IN mm G= CENTER OF GRAVITY CHANGES RESERVED



Type	Dimensions [mm]			
MJB 450	L	B	BB	CG
MJB 450 MB	1577	900	1185	650
MJB 450 LA	1757	1120	1405	780
MJB 450 LB				830

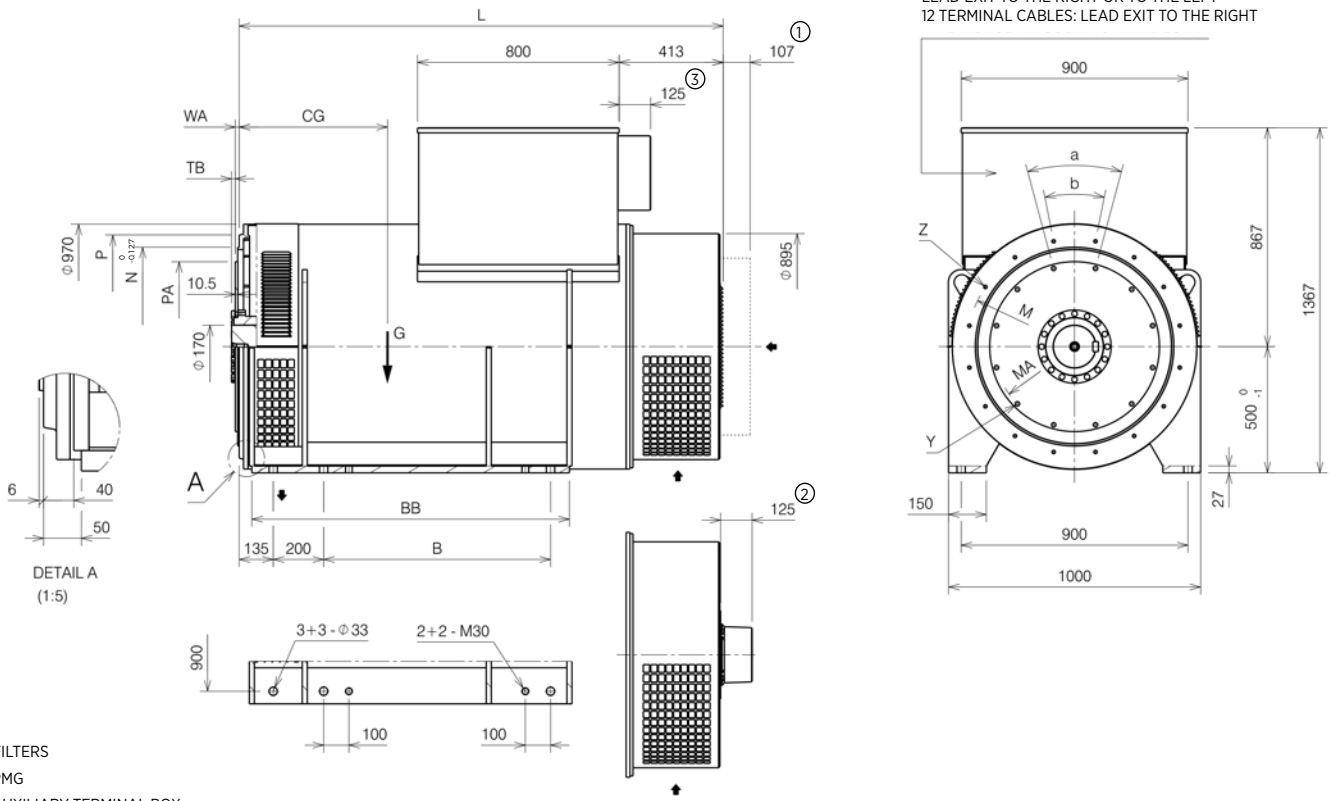
Connections				
COUPLING	FLANGE			
	SAE J617			
SAE J620	1	1/2	0	00
18			•	•
21				•

Dimensions [mm]														
FLANGE							COUPLING							
SAE J617	N	P	M	Z		α	SAE J620	PA	MA	Y		β	WA	TB
				NR	Ø					NR	Ø			
1	511.18	552	530.22	12	11.5	30°	14	466.72	438.2	8	14	45°	25.4	15
1/2	584.20	648	619.10	12	14	30°	16	517.52	489.0	8	14	45°	15.7	15
0	647.70	711	679.50	16	14	22.5°	18	571.50	542.9	6	18	60°	15.7	15
00	787.40	883	851.00	16	14	22.5°	21	673.10	641.4	12	18	30°	0	31

# DIMENSIONS

## MJB 500 - single bearing

DIMENSIONS IN mm G= CENTER OF GRAVITY CHANGES RESERVED



Type	Dimensions [mm]			
	L	B	BB	CG
MJB 500				630
MJB 500 SA	1720	710	1070	655
MJB 500 SB				720
MJB 500 SC				745
MJB 500 MA	1920	900	1260	770
MJB 500 MB				820
MJB 500 MC				860
MJB 500 LA				2020

Connections		
COUPLING	FLANGE	
SAE J620	SAE J617	
		0
14	•	
16	•	•
18	•	•
21		•

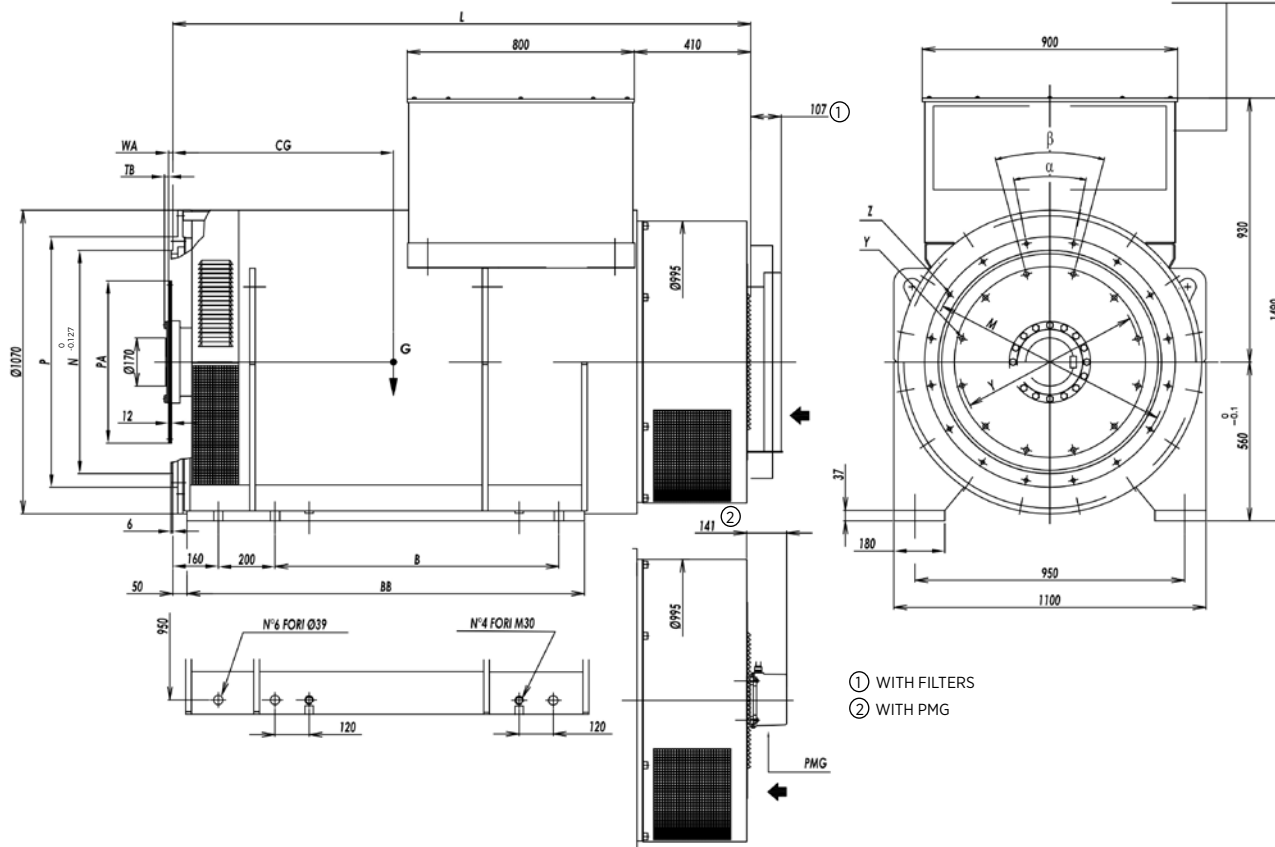
Dimensions [mm]														
FLANGE							COUPLING							
SAE J617	N	P	M	Z		a	SAE J620	PA	MA	Y		b	WA	TB
				NR	$\phi$					NR	$\phi$			
							14	466.72	438.2	8	14	45°	25.4	15
							16	517.52	489.0	8	14	45°	15.7	15
0	647.70	711	679.50	16	14	22.5°	18	571.50	542.9	6	18	60°	15.7	15
00	787.40	883	851.00	16	14	22.5°	21	673.10	641.4	12	18	30°	0	25.3

# DIMENSIONS

## MJB 560 - single bearing

DIMENSIONS IN mm G= CENTER OF GRAVITY CHANGES RESERVED

LEAD EXIT TO THE RIGHT OR TO THE LEFT  
12 TERMINAL CABLES: LEAD EXIT TO THE RIGHT



Type	Dimensions [mm]			
	L	B	BB	CG
MJB 560 SA	1835	800	1200	725
MJB 560 SB				790
MJB 560 MA	2035	1000	1400	815
MJB 560 MB				840
MJB 560 LA	2135	1100	1500	890
MJB 560 LB				930

Connections		
COUPLING	FLANGE	
	SAE J617	
SAE J620	0	00
18	•	•
21		•

Dimensions [mm]														
FLANGE							COUPLING							
SAE J617	N	P	M	Z		$\alpha$	SAE J620	PA	MA	Y		$\beta$	WA	TB
				NR	$\varnothing$					NR	$\varnothing$			
0	647.70	711	679.50	16	14	22.5°	18	571.50	542.9	6	18	60°	15.7	15
00	787.40	883	851.00	16	14	22.5°	21	673.10	641.4	12	18	30°	0	25.3

# CONTACTS

## Italy HQ

### Marelli Motori S.p.A.

Via Sabbionara 1  
36071 Arzignano (VI) - Italy  
(T) +39 0444 479 711  
(F) +39 0444 479 888  
info@marellimotori.com

## USA

### Marelli USA, Inc.

2200 Norcross Parkway, Suite 290  
Norcross, GA 30071 - United States  
(T) +1 859 734 2588  
(F) +1 859 734 0629  
usa@marellimotori.com

## South Africa

### Marelli Motori South Africa (Pty) Ltd

Unit 2, corner Director & Megawatt Road  
Spartan Ext. 23  
Kempton Park 1619 Gauteng  
Republic of South Africa  
(T) +27 11 392 1920  
(F) +27 11 392 1668  
southafrica@marellimotori.com

## Spain

### Representative Office

08195 Sant Cugat  
Barcelona - Spain  
(T) +34 664 464 121  
spain@marellimotori.com

## Asia Pacific

### Marelli Motori Asia Sdn Bhd

Lot 1-8, Persiaran Jubli Perak,  
Seksyen 22, 40300 Shah Alam,  
Selangor D.E. - Malaysia (T) +60 355  
171 999  
(F) +60 355 171 883  
malaysia@marellimotori.com

## Central Europe

### Marelli Motori Central Europe GmbH

Heilswannenweg 50 31008 Elze -  
Germany (T) +49 5068 462 400  
(F) +49 5068 462 409  
germany@marellimotori.com

## United Kingdom Marelli UK

Kirkby Lane, Pinxton  
Nottinghamshire - NG16 6HX United  
Kingdom  
(T) +44 79 3050 6301  
uk@marellimotori.com

## Russia

614007, Perm, 25 October,  
building 72, office 40  
(T) +7 (342) 262-85-56  
sales@marellimotori.ru

**marellimotori.com**



A Langley Holdings Company